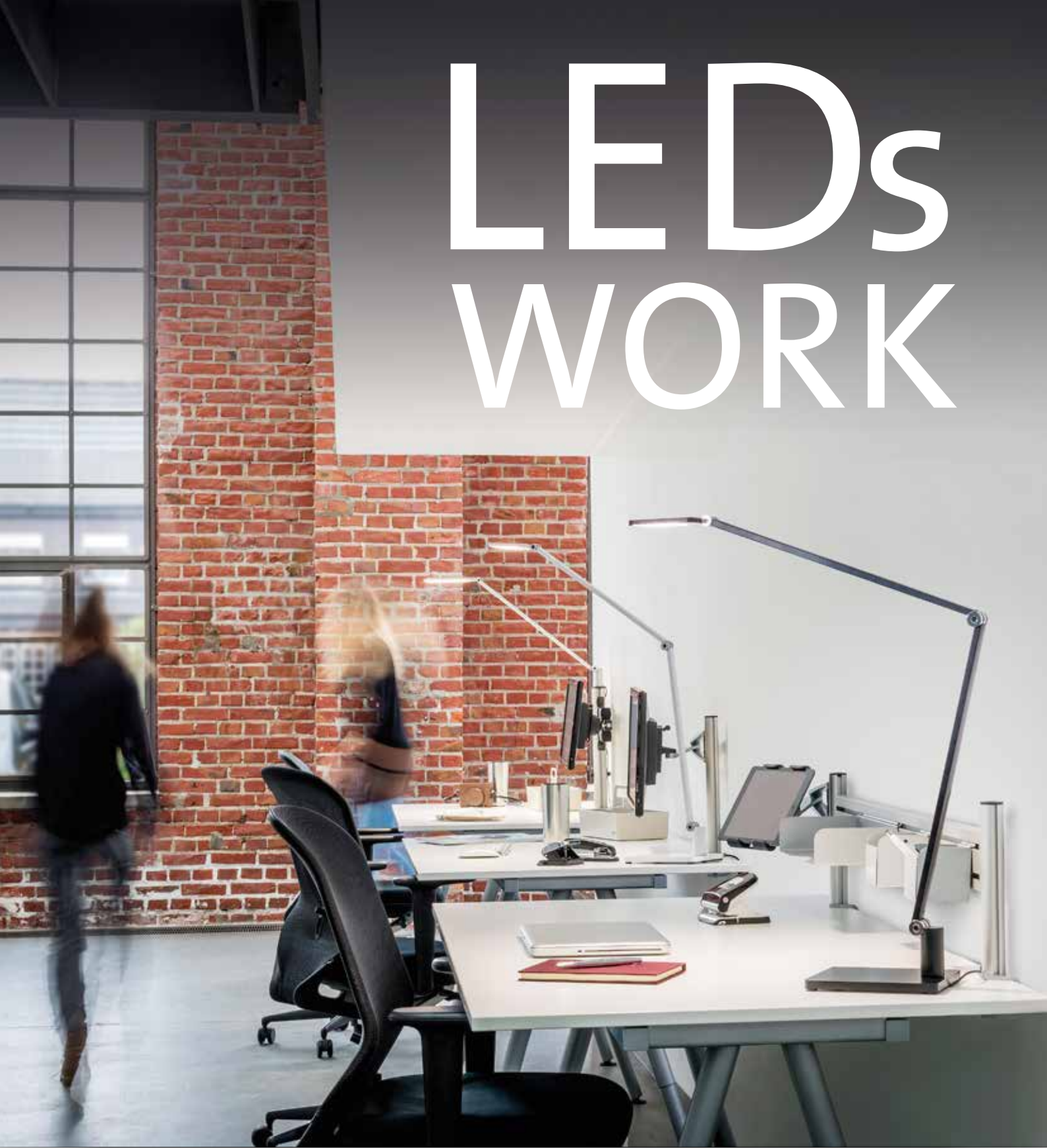


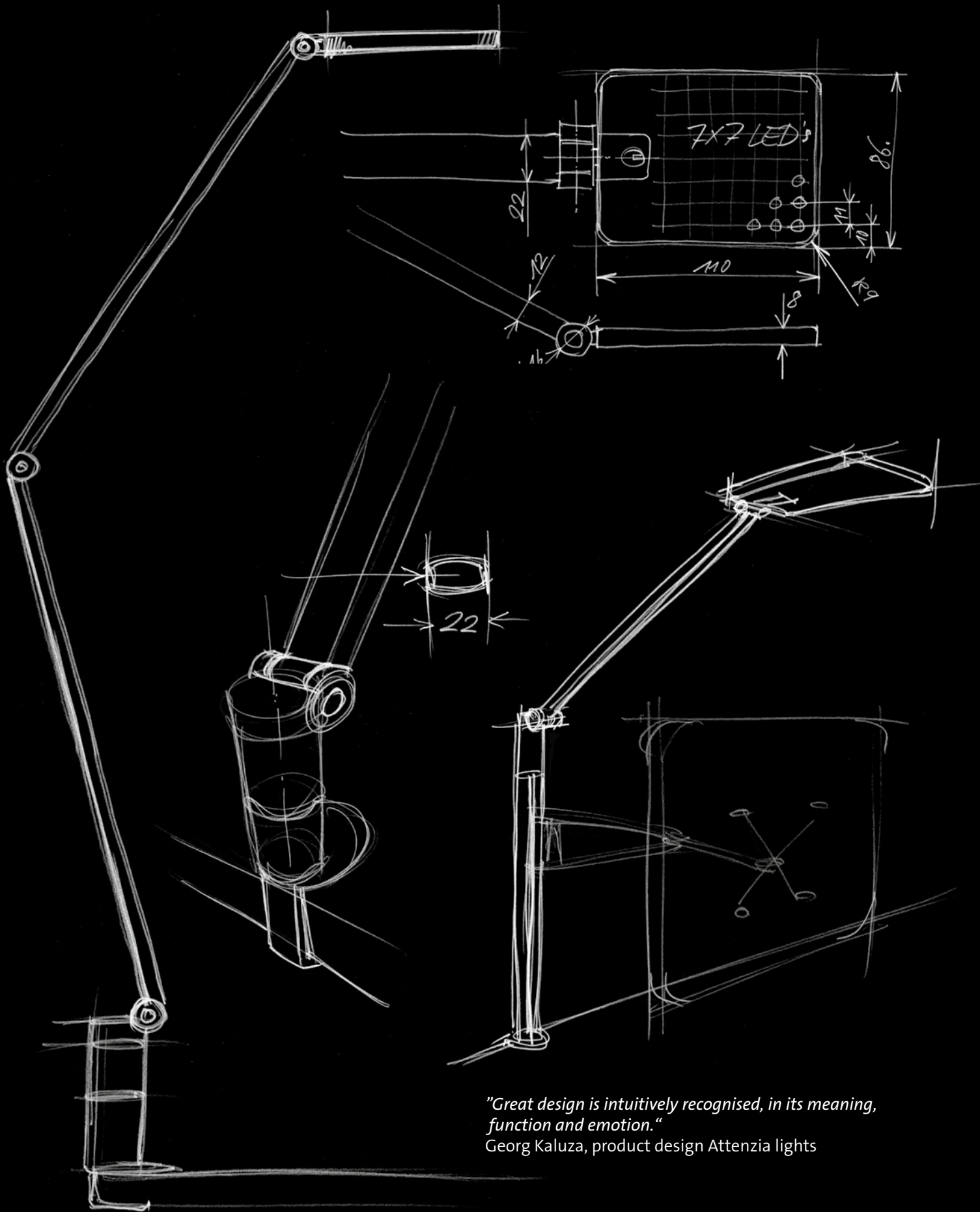
LEDs WORK



Atenzia

Lighting – more space system

NOVUS[®]



"Great design is intuitively recognised, in its meaning, function and emotion."

Georg Kaluza, product design Attenzia lights

LEDs DESIGN WORKSPACE

Attenzia directs light

Every design detail is focused on providing the best quality and brightness of light for your personal workspace. Attenzia offers an impressively thin rotating light head with easily adjustable joints. These high-quality aluminium arms ensure that the perfect beam of light illuminates exactly where you want.



Attenzia task catches the eye

Attenzia LEDs generate a light you don't want to miss. The combination of high luminous flux, powerful illuminance, and authentic color rendering produce a perfect beam of light. Infinite dimming enables you to choose your individual brightness level. Each design detail is focused on the goal of creating the best possible light to illuminate Your Space.

Attenzia task



reddot design award
winner 2018

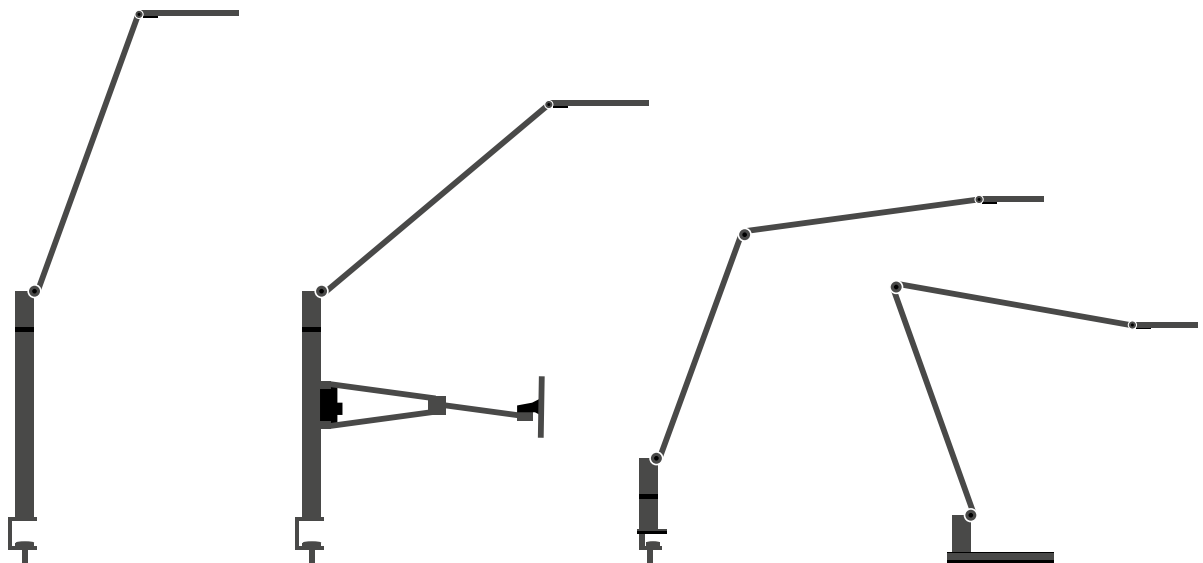




Attenzia complete (left), Attenzia task (right)

Attenzia lights the way

Wherever you want to focus, the rotating head and height-adjustable arm offers the flexibility to perfectly illuminate Your Space. Attenzia can be positioned securely on your desk using a variety of mounting options. In addition, internal cable routing always ensures a clean, organized appearance.

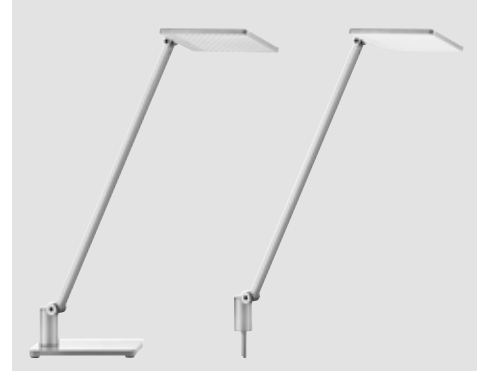


An overview of the options



Attenzia task

Dimmable 7 x 7 LED desk light with aluminum arm. Available in black, white and silver.



Attenzia complete

Dimmable 9 x 12 LED workspace light.



Safely mounted on the table with the Attenzia clamp (available in two clamp lengths).



Flexible positioning thanks to continuously adjustable joints (Attenzia task).



Mobile positioning with the elegant Attenzia base.



The built in LED unit has a lifetime of more than 50,000 hours. It is infinitely dimmable and switches off automatically.



Simply attach the Attenzia to one of our MY columns.



Attenzia bushing

Elegant insert sleeve for invisible cable management.



Attenzia cable port plastic

Plastic cable port adaption for 80 mm cable holes with bushing for 16 mm bolts (Attenzia TSS Version).



Attenzia base plate

Stable, elegant base for the desk, weight 4 kg.



Attenzia system rail mount

System rail mount for the use on various horizontal railing systems in the office furniture industry.

	luminaire luminous flux	luminaire light efficiency	color rendering index	white 	black 	silver 
Attenzia task						
Attenzia task, with clamp 1 7 x 7 LED desk light with slim-line 2-part aluminium support arm- <i>with clamp 1</i>	742 lm	82,7 lm/W	86	740+1211+002	740+1218+002	740+1219+002
Attenzia task, with base plate 7 x 7 LED desk light with slim-line 2-part aluminium support arm- <i>with base plate</i>	742 lm	82,7 lm/W	86	740+1291+002	740+1298+002	740+1299+002
Attenzia task, without mount 7 x 7 LED desk light with slim-line 2-part aluminium support arm- <i>with 13 mm bolt</i>	742 lm	82,7 lm/W	86	740+1201+002	740+1208+002	740+1209+002
Attenzia task, for TSS columns 7 x 7 LED desk light with slim 2-piece aluminium support arm to be mounted on Novus TSS columns- <i>with 16 mm bolt</i>	742 lm	82.7 lm/W	86			740+1209+004

Attenzia complete

Attenzia complete, without mount 9 x 12 LED light with slim aluminium support arm for illuminating the entire workspace- <i>with 13 mm bolt</i>	1708 lm	83.3 lm/W	86			740+2109+002
Attenzia complete, for TSS columns 9 x 12 LED light with slim aluminium support arm for illuminating the entire workspace- <i>with 16 mm bolt</i>	1708 lm	83.3 lm/W	86			740+2109+004

Mounting Options

Description	For Attenzia task	For Attenzia complete	White	Black	Silver
Attenzia clamp 1 For edge mounting on desktops- <i>10-50 mm clamp length</i>	●		798+0011+000	798+0018+000	798+0019+000
Attenzia clamp 2 For edge mounting on thicker desktops- <i>45-85 mm clamp length</i>	●		798+0021+000	798+0028+000	798+0029+000
Attenzia base plate Stable base for the desk- <i>200 mm(l) x 175 mm(w) x 19 mm(h)</i>	●	●	798+0031+000	798+0038+000	798+0039+000
Attenzia bushing Insert sleeve for invisible cable management- <i>5-45 mm thickness 35 mm diameter</i>	●	●		798+0008+000	
Attenzia system rail mount Simple attachment to horizontal railing systems- <i>35 mm diameter 13 mm bolt</i>	●	●			798+0006+000
Attenzia cable port plastic For Attenzia on TSS- <i>80 mm grommets with 16 mm bolts adaptor</i>	●	●	796+0421+002	796+0428+002	
Slatwall Adapter - <i>For Attenzia lights</i>	●	●	798+0071+000	798+0078+000	798+0079+000
MY base C - <i>350 mm column with 14-40 mm clamp</i>		●			911+0019+000
MY base C1 - <i>350 mm column with 13-25 mm clamp</i>		●			911+0029+000
MY base D - <i>350 mm column with drilling screw</i>		●			911+0049+000
MY base G - <i>350 mm column with cable port</i>		●			911+0059+000
MY base S - <i>350 mm column with system rail</i>		●			911+0069+000

LEDs Work Together

Ergonomic Solutions for Your Space

By combining Attenzia with additional More Space System solutions, you can achieve perfect workspace harmony. Fully adjustable to your ideal comfort, More Space allows you to create Your Space.



Actual specifications and design are approximations and may change without notice.

NOVUS[®]

MORE.SPACE.SYSTEM.

Dahle North America, Inc.
49 Vose Farm Road
Peterborough, NH 03458
(800) 995.1379

www.NovusMoreSpace.com



A company of the